

## 2.5 V and 3.3 V LVCMOS Clock Fanout Buffer

The MPC9443 is a 2.5 V and 3.3 V compatible 1:16 clock distribution buffer designed for low-voltage high-performance telecom, networking and computing applications. The device supports 3.3 V, 2.5 V and dual supply voltage (mixed-voltage) applications. The MPC9443 offers 16 low-skew outputs which are divided into 4 individually configurable banks. Each output bank can be individually supplied by 2.5 V or 3.3 V, individually set to run at 1X or 1/2X of the input clock frequency or be disabled (logic low output state). Two selectable LVPECL compatible inputs support differential clock distribution systems. In addition, one selectable LVCMOS input is provided for LVCMOS clock distribution systems. The MPC9443 is specified for the extended temperature range of  $-40$  to  $+85^{\circ}\text{C}$ .

### Features

- Configurable 16 outputs LVCMOS clock distribution buffer
- Compatible to single, dual and mixed 3.3 V / 2.5 V voltage supply
- Output clock frequency up to 350 MHz
- Designed for high-performance telecom, networking and computer applications
- Supports applications requiring clock redundancy
- Max. output skew of 250 ps (125 ps within one bank)
- Selectable output configurations per output bank
- Individually per-bank high-impedance tristate
- Output disable (stop in logic low state) control
- 48 ld LQFP package
- Ambient operating temperature range of  $-40$  to  $85^{\circ}\text{C}$

### Functional Description

The MPC9443 is a full static design supporting clock frequencies up to 350 MHz. The signals are generated and retimed on-chip to ensure minimal skew between the four output banks.

Two independent LVPECL compatible clock inputs are available. This feature supports redundant differential clock sources. In addition, the MPC9443 supports single-ended LVCMOS clock distribution systems. Each of the four output banks can be individually supplied by 2.5 V or 3.3 V, supporting mixed voltage applications. The FSELx pins choose between division of the input reference frequency by one or two. The frequency divider can be set individually for each output bank. The MPC9443 output banks are in high-impedance state by deasserting the  $\overline{\text{OE}}_N$  pins. Asserting  $\overline{\text{OE}}_N$  will enable output banks. Please see **Table 4. Output High-Impedance Control ( $\text{OE}_N$ )** for details. The outputs can be synchronously stopped (logic low state). The outputs provide LVCMOS compatible levels with the capability to drive terminated  $50\ \Omega$  transmission lines. For series terminated transmission lines, each of the MPC9443 outputs can drive one or two traces giving the devices an effective fanout of 1:32 at  $V_{\text{CC}} = 3.3\ \text{V}$ . The device is packaged in a  $7 \times 7\ \text{mm}^2$  48-lead LQFP package.

## MPC9443

**LOW VOLTAGE SUPPLY  
2.5 V AND 3.3 V LVCMOS  
CLOCK FANOUT BUFFER**



**FA SUFFIX**  
48-LEAD LQFP PACKAGE  
CASE 932-03

# MPC9443

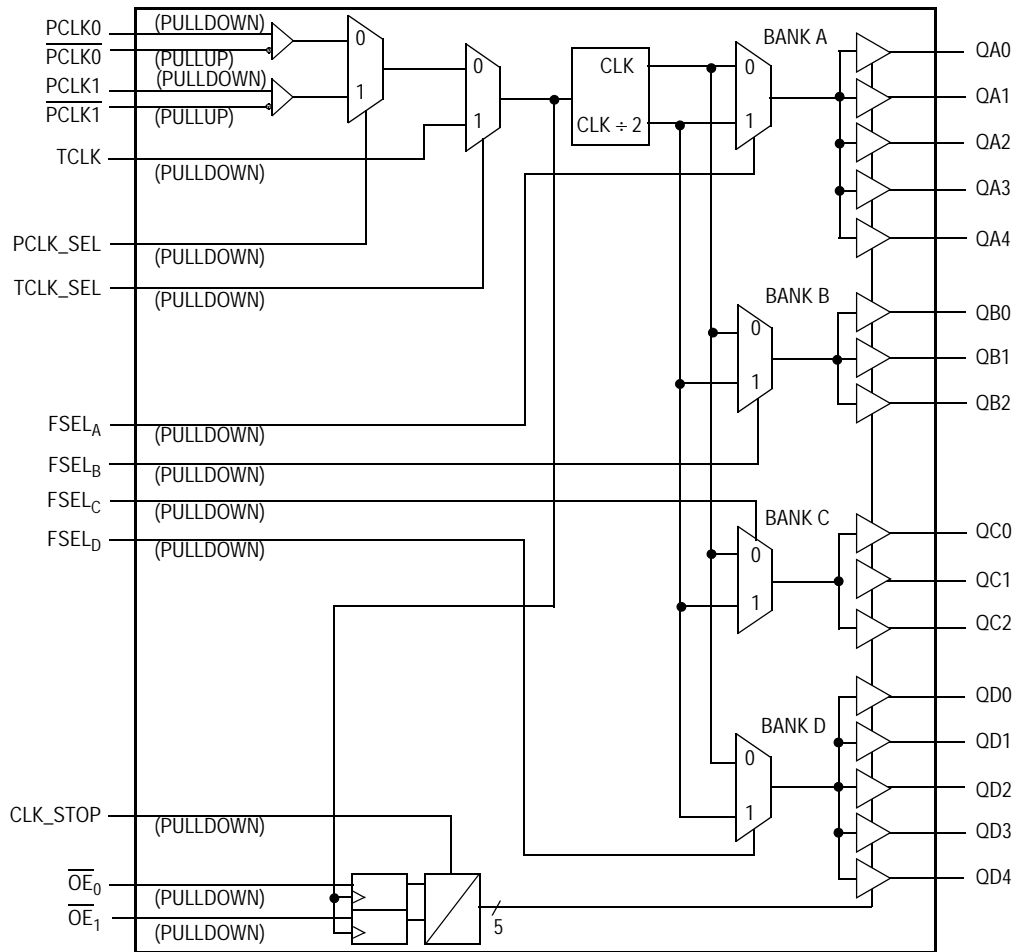


Figure 1. MPC9443 Logic Diagram

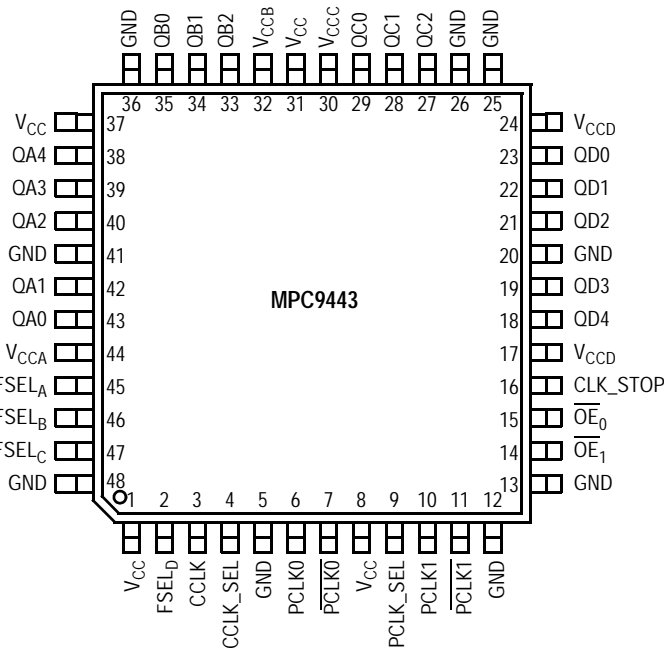


Figure 2. 48-Lead Package Pinout (Top View)

Table 1. Pin Configuration

| Pin   | I/O    | Type    | Function   |
|---|--------|---------|--|
| CCLK  | Input  | LVC MOS | LVC MOS clock inputs                                   |
| PCLK0, $\overline{\text{PCLK0}}$  | Input  | LVC MOS | LVPECL differential clock input                        |
| PCLK1, $\overline{\text{PCLK1}}$  | Input  | LVC MOS | LVPECL differential clock input                        |
| FSEL <sub>A</sub> , FSEL <sub>B</sub> , FSEL <sub>C</sub> , FSEL <sub>D</sub> | Input  | LVC MOS | Output bank divide select input                        |
| CCLK_SEL  | Input  | LVC MOS | LVC MOS/LVPECL clock input select                      |
| PCLK_SEL  | Input  | LVC MOS | PCLK0/PCLK1 clock input select                         |
| OE <sub>0</sub> , OE <sub>1</sub>   | Input  | LVC MOS | Output tristate control                                |
| CLK_STOP  | Input  | LVC MOS | Synchronous output enable/disable (clock stop) control |
| GND   |        | Supply  | Negative voltage supply                                |
| V <sub>CCA</sub> , V <sub>CCB</sub> , V <sub>CCC</sub> , V <sub>CCD</sub>     |        | Supply  | Positive voltage supply output bank (V <sub>CC</sub> ) |
| V <sub>CC</sub>   |        | Supply  | Positive voltage supply core (V <sub>CC</sub> )        |
| QA0 to QA4  | Output | LVC MOS | Bank A outputs   |
| QB0 to QB2  | Output | LVC MOS | Bank B outputs   |
| QC0 to QC2  | Output | LVC MOS | Bank C outputs   |
| QD0 to QD4  | Output | LVC MOS | Bank D outputs   |

Table 2. Supported Single and Dual Supply Configurations

| Supply Voltage Configuration | V <sub>CC</sub> <sup>1</sup> | V <sub>CCA</sub> <sup>2</sup> | V <sub>CCB</sub> <sup>3</sup> | V <sub>CCC</sub> <sup>4</sup> | V <sub>CCD</sub> <sup>5</sup> | GND |
|------------------------------|------------------------------|-------------------------------|-------------------------------|-------------------------------|-------------------------------|-----|
| 3.3 V Supply                 | 3.3 V                        | 3.3 V                         | 3.3 V                         | 3.3 V                         | 3.3 V                         | 0 V |
| Mixed Mode Supply            | 3.3 V                        | 3.3 V or 2.5 V                | 3.3 V or 2.5 V                | 3.3 V or 2.5 V                | 3.3 V or 2.5 V                | 0 V |
| 2.5 V Supply                 | 2.5 V                        | 2.5 V                         | 2.5 V                         | 2.5 V                         | 2.5 V                         | 0 V |

1. V<sub>CC</sub> is the positive power supply of the device core and input circuitry. V<sub>CC</sub> voltage defines the input threshold and levels.
2. V<sub>CCA</sub> is the positive power supply of the bank A outputs. V<sub>CCA</sub> voltage defines bank A output levels.
3. V<sub>CCB</sub> is the positive power supply of the bank B outputs. V<sub>CCB</sub> voltage defines bank B output levels.
4. V<sub>CCC</sub> is the positive power supply of the bank C outputs. V<sub>CCC</sub> voltage defines bank C output levels.
5. V<sub>CCD</sub> is the positive power supply of the bank D outputs. V<sub>CCD</sub> voltage defines bank D output levels.

Table 3. Function Table (Controls)

| Control                           | Default | 0   | 1   |
|-----------------------------------|---------|---|---|
| CCLK_SEL                          | 0       | PCLK or PCLK1 active (LVPECL clock mode)  | CCLK active (LVC MOS clock mode)                                |
| PCLK_SEL                          | 0       | PCLK0 active, PCLK1 inactive  | PCLK1 active, PCLK0 inactive                                    |
| FSEL <sub>A</sub>                 | 0       | f <sub>QA0:4</sub> = f <sub>REF</sub>   | f <sub>QA0:4</sub> = f <sub>REF</sub> ÷ 2                       |
| FSEL <sub>B</sub>                 | 0       | f <sub>QB0:2</sub> = f <sub>REF</sub>   | f <sub>QB0:2</sub> = f <sub>REF</sub> ÷ 2                       |
| FSEL <sub>C</sub>                 | 0       | f <sub>QC0:2</sub> = f <sub>REF</sub>   | f <sub>QC0:2</sub> = f <sub>REF</sub> ÷ 2                       |
| FSEL <sub>D</sub>                 | 0       | f <sub>QD0:4</sub> = f <sub>REF</sub>   | f <sub>QD0:4</sub> = f <sub>REF</sub> ÷ 2                       |
| CLK_STOP                          | 0       | Normal operation  | Outputs are synchronously disabled (stopped) in logic low state |
| OE <sub>0</sub> , OE <sub>1</sub> | 00      | Asynchronous output enable control. See Table 4. Output High-Impedance Control (OE <sub>N</sub> ) |   |

# MPC9443

**Table 4. Output High-Impedance Control ( $\overline{OE}_N$ )<sup>1</sup>**

| OE <sub>0</sub> | OE <sub>1</sub> | QA0 to QA4          | QB0 to QB2          | QC0 to QC2          | QD0 to QD4          | Total Number of Enabled Outputs |
|-----------------|-----------------|---------------------|---------------------|---------------------|---------------------|---------------------------------|
| 0               | 0               | Enabled             | Enabled             | Enabled             | Enabled             | 16                              |
| 0               | 1               | Enabled             | Disabled (tristate) | Disabled (tristate) | Enabled             | 10                              |
| 1               | 0               | Enabled             | Enabled             | Disabled (tristate) | Disabled (tristate) | 8                               |
| 1               | 1               | Disabled (tristate) | Disabled (tristate) | Disabled (tristate) | Disabled (tristate) | 0                               |

1.  $\overline{OE}_N$  will tristate (high impedance) output banks independent on the logic state of the output and the status of CLK\_STOP.

**Table 5. Absolute Maximum Ratings<sup>1</sup>**

| Symbol           | Characteristics     | Min  | Max                   | Unit | Condition |
|------------------|---------------------|------|-----------------------|------|-----------|
| V <sub>CC</sub>  | Supply Voltage      | -0.3 | 3.6                   | V    |           |
| V <sub>IN</sub>  | DC Input Voltage    | -0.3 | V <sub>CC</sub> + 0.3 | V    |           |
| V <sub>OUT</sub> | DC Output Voltage   | -0.3 | V <sub>CC</sub> + 0.3 | V    |           |
| I <sub>IN</sub>  | DC Input Current    |      | ±20                   | mA   |           |
| I <sub>OUT</sub> | DC Output Current   |      | ±50                   | mA   |           |
| T <sub>S</sub>   | Storage Temperature | -65  | 125                   | °C   |           |

1. Absolute maximum continuous ratings are those maximum values beyond which damage to the device may occur. Exposure to these conditions or conditions beyond those indicated may adversely affect device reliability. Functional operation under absolute-maximum-rated conditions is not implied.

**Table 6. General Specifications**

| Symbol          | Characteristics                   | Min  | Typ                 | Max | Unit | Condition  |
|-----------------|-----------------------------------|------|---------------------|-----|------|------------|
| V <sub>TT</sub> | Output Termination Voltage        |      | V <sub>CC</sub> ÷ 2 |     | V    |            |
| MM              | ESD Protection (Machine model)    | 200  |                     |     | V    |            |
| HBM             | ESD Protection (Human body model) | 2000 |                     |     | V    |            |
| LU              | Latch-Up Immunity                 | 200  |                     |     | mA   |            |
| C <sub>PD</sub> | Power Dissipation Capacitance     |      | 10                  |     | pF   | Per output |
| C <sub>IN</sub> | Input Capacitance                 |      | 4.0                 |     | pF   |            |

**Table 7. DC Characteristics** ( $V_{CC} = V_{CCA} = V_{CCB} = V_{CCC} = V_{CCD} = 3.3\text{ V} \pm 5\%$ ,  $T_A = -40$  to  $+85^\circ\text{C}$ )

| Symbol      | Characteristics                     | Min  | Typ | Max            | Unit          | Condition  |
|-------------|-------------------------------------|------|-----|----------------|---------------|--|
| $V_{IH}$    | Input High Voltage                  | 2.0  |     | $V_{CC} + 0.3$ | V             | LVCMOS   |
| $V_{IL}$    | Input Low Voltage                   | -0.3 |     | 0.8            | V             | LVCMOS   |
| $V_{PP}$    | Peak-to-Peak Input Voltage PCLK0, 1 | 250  |     |                | mV            | LVPECL   |
| $V_{CMR}^1$ | Common Mode Range PCLK0, 1          | 1.1  |     | $V_{CC} - 0.6$ | V             | LVPECL   |
| $I_{IN}$    | Input Current <sup>2</sup>          |      |     | 200            | $\mu\text{A}$ | $V_{IN} = \text{GND}$ or $V_{IN} = V_{CC}$           |
| $V_{OH}$    | Output High Voltage                 | 2.4  |     |                | V             | $I_{OH} = -24\text{ mA}^3$                           |
| $V_{OL}$    | Output Low Voltage                  |      |     | 0.55<br>0.30   | V<br>V        | $I_{OL} = 24\text{ mA}^3$<br>$I_{OL} = 12\text{ mA}$ |
| $Z_{OUT}$   | Output Impedance                    |      | 19  |                | $\Omega$      |  |
| $I_{CCQ}^4$ | Maximum Quiescent Supply Current    |      |     | 3.0            | mA            | All $V_{CC}$ Pins                                    |

- $V_{CMR}$  (DC) is the crosspoint of the differential input signal. Functional operation is obtained when the crosspoint is within the  $V_{CMR}$  range and the input swing lies within the  $V_{PP}$  (DC) specification.
- Input pull-up / pull-down resistors influence input current.
- The MPC9443 is capable of driving  $50\ \Omega$  transmission lines on the incident edge. Each output drives one  $50\ \Omega$  parallel terminated transmission line to a termination voltage of  $V_{TT}$ . Alternatively, the device drives up to two  $50\ \Omega$  series terminated transmission lines (for  $V_{CC} = 3.3\text{ V}$ ) or one  $50\ \Omega$  series terminated transmission line (for  $V_{CC} = 2.5\text{ V}$ ).
- $I_{CCQ}$  is the DC current consumption of the device with all outputs open and the input in its default state or open.

**Table 8. AC Characteristics** ( $V_{CC} = V_{CCA} = V_{CCB} = V_{CCC} = V_{CCD} = 3.3\text{ V} \pm 5\%$ ,  $T_A = -40$  to  $+85^\circ\text{C}$ )<sup>1</sup>

| Symbol   | Characteristics                                | Min  | Typ                      | Max                      | Unit                 | Condition              |
|--|--|--|--------------------------|--------------------------|----------------------|------------------------|
| $f_{ref}$  | Input Frequency                                | 0  |                          | 350                      | MHz                  |                        |
| $f_{MAX}$  | Maximum Output Frequency                       | $\pm 1$ output<br>0<br>$\pm 2$ output<br>0   |                          | 350<br>175               | MHz                  | FSELx = 0<br>FSELx = 1 |
| $V_{PP}$   | Peak-to-Peak Input Voltage                     | PCLK0,1  | 500                      | 1000                     | mV                   | LVPECL                 |
| $V_{CMR}^2$                                      | Common Mode Range                              | PCLK0,1  | 1.3                      | $V_{CC} - 0.8$           | V                    | LVPECL                 |
| $t_{P, REF}$                                     | Reference Input Pulse Width                    |  | 1.4                      |                          | ns                   |                        |
| $t_r, t_f$                                       | CCLK Input Rise/Fall Time                      |  |                          | $1.0^3$                  | ns                   | 0.8 to 2.0 V           |
| $t_{PLH}$<br>$t_{PHL}$<br>$t_{PLH}$<br>$t_{PHL}$ | Propagation Delay                              | PCLK0,1 to any Q<br>PCLK0,1 to any Q<br>CCLK to any Q<br>CCLK to any Q               | 2.5<br>2.4<br>2.1<br>1.9 | 5.0<br>5.2<br>4.2<br>4.6 | ns<br>ns<br>ns<br>ns |                        |
| $t_{PLZ, HZ}$                                    | Output Disable Time                            |  |                          | 10                       | ns                   |                        |
| $t_{PZL, LZ}$                                    | Output Enable Time                             |  |                          | 10                       | ns                   |                        |
| $t_S, t_H$                                       | Setup, Hold Time (reference clock to CLK_STOP) |  | 500                      |                          | ps                   |                        |
| $t_{sk(LH, HL)}$                                 | Output-to-Output Skew <sup>4</sup>             | Within one bank<br>Any output, same output divider<br>Any output, any output divider |                          | 125<br>225<br>250        | ps<br>ps<br>ps       |                        |
| $t_{sk(PP)}$                                     | Device-to-Device Skew (LH) <sup>5</sup>        | Using PCLK0,1<br>Using CCLK  |                          | 2.5<br>2.1               | ns<br>ns             |                        |
|  | Device-to-Device Skew (LH, HL) <sup>6</sup>    | Using PCLK0,1<br>Using CCLK  |                          | 2.8<br>2.7               | ns<br>ns             |                        |
| $t_{sk(P)}$                                      | Output Pulse Skew <sup>7</sup>                 | Using PCLK0,1<br>Using CCLK  |                          | 300<br>400               | ps<br>ps             | $DC_{REF} = 50\%$      |
| $DC_Q$   | Output Duty Cycle                              | $f_Q < 140\text{ MHz}$ and using CCLK<br>$f_Q < 250\text{ MHz}$ and using PCLK0,1    | 45<br>45                 | 50<br>50                 | %<br>%               |                        |
| $t_r, t_f$                                       | Output Rise/Fall Time                          |  | 0.1                      | 1.0                      | ns                   | 0.55 to 2.4 V          |

- AC characteristics apply for parallel output termination of  $50\ \Omega$  to  $V_{TT}$ .
- $V_{CMR}$  (AC) is the crosspoint of the differential input signal. Normal AC operation is obtained when the crosspoint is within the  $V_{CMR}$  range and the input swing lies within the  $V_{PP}$  (AC) specification.
- Violation of the 1.0 ns maximum input rise and fall time limit will affect the device propagation delay, device-to-device skew, reference input pulse width, output duty cycle and maximum frequency specifications.
- $t_{sk(LH, HL)}$  includes both device skew referenced to the rising output edge and device skew referenced to the falling output edge.
- Device-to-device skew referenced to the rising output edge.
- Device-to-device skew referenced to the rising output edge or referenced to the falling output edge.
- Output pulse skew is the absolute difference of the propagation delay times:  $|t_{PLH} - t_{PHL}|$

# MPC9443

**Table 9. DC Characteristics** ( $V_{CC} = V_{CCA} = V_{CCB} = V_{CCC} = V_{CCD} = 2.5 \text{ V} \pm 5\%$ ,  $T_A = -40$  to  $+85^\circ\text{C}$ )

| Symbol      | Characteristics                     | Min  | Typ | Max            | Unit          | Condition                                  |
|-------------|-------------------------------------|------|-----|----------------|---------------|--|
| $V_{IH}$    | Input High Voltage                  | 1.7  |     | $V_{CC} + 0.3$ | V             | LVC MOS                                    |
| $V_{IL}$    | Input Low Voltage                   | -0.3 |     | 0.7            | V             | LVC MOS                                    |
| $V_{PP}$    | Peak-to-Peak Input Voltage PCLK0, 1 | 250  |     |                | mV            | LVPECL                                     |
| $V_{CMR}^1$ | Common Mode Range PCLK0, 1          | 1.1  |     | $V_{CC} - 0.7$ | V             | LVPECL                                     |
| $I_{IN}$    | Input Current <sup>2</sup>          |      |     | 200            | $\mu\text{A}$ | $V_{IN} = \text{GND}$ or $V_{IN} = V_{CC}$ |
| $V_{OH}$    | Output High Voltage                 | 1.8  |     |                | V             | $I_{OH} = -15 \text{ mA}^3$                |
| $V_{OL}$    | Output Low Voltage                  |      |     | 0.6            | V             | $I_{OL} = 15 \text{ mA}^3$                 |
| $Z_{OUT}$   | Output Impedance                    |      | 22  |                | $\Omega$      |  |
| $I_{CCQ}^4$ | Maximum Quiescent Supply Current    |      |     | 3.0            | mA            | All $V_{CC}$ Pins                          |

- $V_{CMR}$  (DC) is the crosspoint of the differential input signal. Functional operation is obtained when the crosspoint is within the  $V_{CMR}$  range and the input swing lies within the  $V_{PP}$  (DC) specification.
- Input pull-up / pull-down resistors influence input current.
- The MPC9443 is capable of driving  $50 \Omega$  transmission lines on the incident edge. Each output drives one  $50 \Omega$  parallel terminated transmission line to a termination voltage of  $V_{TT}$ . Alternatively, the device drives up to one  $50 \Omega$  series terminated transmission line at  $V_{CC} = 2.5 \text{ V}$ .
- $I_{CCQ}$  is the DC current consumption of the device with all outputs open and the input in its default state or open.

**Table 10. AC Characteristics** ( $V_{CC} = V_{CCA} = V_{CCB} = V_{CCC} = V_{CCD} = 2.5 \text{ V} \pm 5\%$ ,  $T_A = -40$  to  $+85^\circ\text{C}$ )<sup>1</sup>

| Symbol   | Characteristics                                | Min  | Typ                      | Max                      | Unit                 | Condition               |
|--|--|--|--------------------------|--------------------------|----------------------|-------------------------|
| $f_{ref}$  | Input Frequency                                | 0  |                          | 350                      | MHz                  |                         |
| $f_{MAX}$  | Maximum Output Frequency                       | $\div 1$ output<br>0<br>$\div 2$ output<br>0   |                          | 350<br>175               | MHz<br>MHz           | FSELx = 0<br>FSELx = 1  |
| $V_{PP}$   | Peak-to-Peak Input Voltage                     | PCLK0,1  | 500                      | 1000                     | mV                   | LVPECL                  |
| $V_{CMR}^2$                                      | Common Mode Range                              | PCLK0,1  | 1.3                      | $V_{CC} - 0.7$           | V                    | LVPECL                  |
| $t_{P, REF}$                                     | Reference Input Pulse Width                    |  | 1.4                      |                          | ns                   |                         |
| $t_r, t_f$                                       | CCLK Input Rise/Fall Time                      |  |                          | $1.0^3$                  | ns                   | 0.8 to 2.0 V            |
| $t_{PLH}$<br>$t_{PHL}$<br>$t_{PLH}$<br>$t_{PHL}$ | Propagation Delay                              | PCLK0,1 to any Q<br>PCLK0,1 to any Q<br>CCLK to any Q<br>CCLK to any Q               | 2.5<br>2.4<br>2.1<br>1.9 | 6.0<br>6.2<br>5.3<br>5.5 | ns<br>ns<br>ns<br>ns |                         |
| $t_{PLZ, HZ}$                                    | Output Disable Time                            |  |                          | 10                       | ns                   |                         |
| $t_{PZL, LZ}$                                    | Output Enable Time                             |  |                          | 10                       | ns                   |                         |
| $t_S, t_H$                                       | Setup, Hold Time (reference clock to CLK_STOP) | 500  |                          |                          | ps                   |                         |
| $t_{sk(LH, HL)}$                                 | Output-to-Output Skew <sup>4</sup>             | Within one bank<br>Any output, same output divider<br>Any output, any output divider |                          | 125<br>225<br>250        | ps<br>ps<br>ps       |                         |
| $t_{sk(PP)}$                                     | Device-to-Device Skew (LH) <sup>5</sup>        | Using PCLK0,1<br>Using CCLK  |                          | 3.2<br>3.1<br>3.5<br>3.4 | ns<br>ns<br>ns<br>ns |                         |
| $t_{sk(P)}$                                      | Output Pulse Skew <sup>7</sup>                 | Using PCLK0,1<br>Using CCLK  |                          | 300<br>400               | ps<br>ps             | DC <sub>REF</sub> = 50% |
| DC <sub>Q</sub>                                  | Output Duty Cycle                              | $f_Q < 140 \text{ MHz}$ and using CCLK<br>$f_Q < 140 \text{ MHz}$ and using PCLK0,1  | 45<br>45                 | 50<br>50                 | 55<br>55             | %<br>%                  |
| $t_r, t_f$                                       | Output Rise/Fall Time                          |  | 0.1                      | 1.0                      | ns                   | 0.55 to 2.4 V           |

- AC characteristics apply for parallel output termination of  $50 \Omega$  to  $V_{TT}$ .
- $V_{CMR}$  (AC) is the crosspoint of the differential input signal. Normal AC operation is obtained when the crosspoint is within the  $V_{CMR}$  range and the input swing lies within the  $V_{PP}$  (AC) specification.
- Violation of the 1.0 ns maximum input rise and fall time limit will affect the device propagation delay, device-to-device skew, reference input pulse width, output duty cycle and maximum frequency specifications.
- $t_{sk(LH, HL)}$  includes both device skew referenced to the rising output edge and device skew referenced to the falling output edge.
- Device-to-device skew referenced to the rising output edge.
- Device-to-device skew referenced to the rising output edge or referenced to the falling output edge.
- Output pulse skew is the absolute difference of the propagation delay times:  $|t_{PLH} - t_{PHL}|$

**Table 11. DC Characteristics** ( $V_{CC} = 3.3\text{ V} \pm 5\%$ , any  $V_{CCA,B,C,D} = 2.5\text{ V} \pm 5\%$  or  $3.3\text{ V} \pm 5\%$  (mixed),  $T_A = -40$  to  $+85^\circ\text{C}$ )

| Symbol      | Characteristics                  | Min                          | Typ        | Max            | Unit                 | Condition   |
|-------------|----------------------------------|------------------------------|------------|----------------|----------------------|---|
| $V_{IH}$    | Input High Voltage               | 2.0                          |            | $V_{CC} + 0.3$ | V                    | LVC MOS   |
| $V_{IL}$    | Input Low Voltage                | -0.3                         |            | 0.8            | V                    | LVC MOS   |
| $I_{IN}$    | Input Current <sup>1</sup>       |                              |            | 200            | $\mu\text{A}$        |   |
| $V_{OH}$    | Output High Voltage              | 2.5 V output<br>3.3 V output | 1.7<br>2.0 |                | V                    | $I_{OH} = -15\text{ mA}^2$<br>$I_{OH} = 24\text{ mA}^2$ |
| $V_{OL}$    | Output Low Voltage               | 2.5 V output<br>3.3 V output |            | 0.6<br>0.55    | V                    | $I_{OL} = 15\text{ mA}^2$<br>$I_{OL} = 24\text{ mA}^2$  |
| $V_{PP}$    | Peak-to-Peak Input Voltage       | PCLK0,1                      | 250        |                | mV                   | LVPECL  |
| $V_{CMR}^3$ | Common Mode Range                | PCLK0, 1                     | 1.1        |                | $V_{CC} - 0.6$       | LVPECL  |
| $Z_{OUT}$   | Output Impedance                 | 2.5 V output<br>3.3 V output |            | 22<br>19       | $\Omega$<br>$\Omega$ |   |
| $C_{PD}$    | Power Dissipation Capacitance    |                              | 10         |                | pF                   | Per Output  |
| $I_{CCQ}^4$ | Maximum Quiescent Supply Current |                              |            | 3.0            | mA                   | All $V_{CC}$ Pins                                       |

1. Input pull-up / pull-down resistors influence input current.
2. The MPC9443 is capable of driving  $50\ \Omega$  transmission lines on the incident edge. Each output drives one  $50\ \Omega$  parallel terminated transmission line to a termination voltage of  $V_{TT}$ . Alternatively, the device drives up to two  $50\ \Omega$  series terminated transmission lines (for  $V_{CC} = 3.3\text{ V}$ ) or one  $50\ \Omega$  series terminated transmission line (for  $V_{CC} = 2.5\text{ V}$ ).
3.  $V_{CMR}$  (DC) is the crosspoint of the differential input signal. Functional operation is obtained when the crosspoint is within the  $V_{CMR}$  range and the input swing lies within the  $V_{PP}$  (DC) specification.
4.  $I_{CCQ}$  is the DC current consumption of the device with all outputs open and the input in its default state or open.

**Table 12. AC Characteristics** ( $V_{CC} = 3.3\text{ V} \pm 5\%$ , any  $V_{CCA,B,C,D} = 2.5\text{ V} \pm 5\%$  or  $3.3\text{ V} \pm 5\%$  (mixed),  $T_A = -40$  to  $+85^\circ\text{C}$ )<sup>1 2</sup>

| Symbol           | Characteristics   | Min   | Typ      | Max        | Unit     | Condition         |
|------------------|---|---|----------|------------|----------|-------------------|
| $t_{sk(LH, HL)}$ | Output-to-Output Skew <sup>3</sup><br>Any output, same output divider<br>Any output, any output divider |   |          | 275<br>350 | ps<br>ps |                   |
| $t_{sk(PP)}$     | Device-to-Device Skew   | See <b>Table 8</b> (3.3 V AC Characteristics) |          |            |          |                   |
| $t_{PLH, HL}$    | Propagation Delay   | See <b>Table 8</b> (3.3 V AC Characteristics) |          |            |          |                   |
| $t_{SK(P)}$      | Output Pulse Skew <sup>4</sup><br>Using PCLK0,1<br>Using CCLK   |   |          | 400<br>500 | ps<br>ps | $DC_{REF} = 50\%$ |
| $DC_Q$           | Output Duty Cycle<br>$f_Q < 140\text{ MHz}$ and using CCLK<br>$f_Q < 250\text{ MHz}$ and using PCLK0,1  | 45<br>45                                      | 50<br>50 | 55<br>55   | %<br>%   |                   |

1. AC characteristics apply for parallel output termination of  $50\ \Omega$  to  $V_{TT}$ .
2. This table only specifies AC parameter in mixed voltage supply conditions that vary from the corresponding AC tables. For all other parameters, see **Table 8** (for 3.3 V outputs) or **Table 10** (for 2.5 V outputs)
3.  $t_{sk(LH, HL)}$  includes both device skew referenced to the rising output edge and device skew referenced to the falling output edge.
4. Output pulse skew is the absolute difference of the propagation delay times:  $|t_{PLH} - t_{PHL}|$

APPLICATIONS INFORMATION

Driving Transmission Lines

The MPC9443 clock driver was designed to drive high speed signals in a terminated transmission line environment. To provide the optimum flexibility to the user the output drivers were designed to exhibit the lowest impedance possible. With an output impedance of less than 20 Ω the drivers can drive either parallel or series terminated transmission lines at  $V_{CC} = 3.3$  V. For more information on transmission lines the reader is referred to application note AN1091. In most high performance clock networks point-to-point distribution of signals is the method of choice. In a point-to-point scheme either series terminated or parallel terminated transmission lines can be used. The parallel technique terminates the signal at the end of the line with a 50 Ω resistance to  $V_{CC} \div 2$ .

This technique draws a fairly high level of DC current and thus only a single terminated line can be driven by each output of the MPC9443 clock driver. For the series terminated case however there is no DC current draw, thus the outputs can drive multiple series terminated lines. **Figure 3. Single versus Dual Transmission Lines** illustrates an output driving a single series terminated line versus two series terminated lines in parallel. When taken to its extreme the fanout of the MPC9443 clock driver is effectively doubled due to its capability to drive multiple lines (at  $V_{CC} = 3.3$  V).

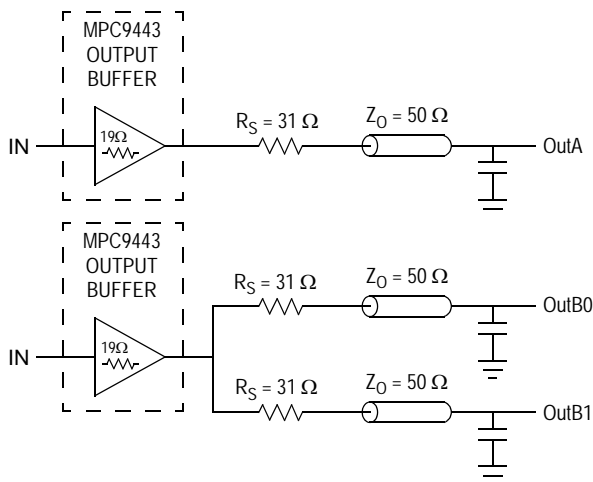


Figure 3. Single versus Dual Transmission Lines

The waveform plots in **Figure 4. Single versus Dual Waveforms** show the simulation results of an output driving a single line versus two lines. In both cases the drive capability of the MPC9443 output buffer is more than sufficient to drive 50 Ω transmission lines on the incident edge. Note from the delay measurements in the simulations a delta of only 43 ps exists between the two differently loaded outputs. This suggests that the dual line driving need not be used exclusively to maintain the tight output-to-output skew of the MPC9443. The output waveform in **Figure 4. Single versus Dual Waveforms** shows a step in the waveform, this step is caused by the impedance mismatch seen looking into the driver. The parallel combination

of the 31 Ω series resistor plus the output impedance does not match the parallel combination of the line impedances. The voltage wave launched down the two lines will equal:

$$V_L = V_S (Z_0 \div (R_S + R_0 + Z_0))$$

$$Z_0 = 50 \Omega \parallel 50 \Omega$$

$$R_S = 31 \Omega \parallel 31 \Omega$$

$$R_0 = 19 \Omega$$

$$V_L = 3.0 (25 \div (15.5 + 19 + 25))$$

$$= 1.26V$$

At the load end the voltage will double, due to the near unity reflection coefficient, to 2.52 V. It will then increment towards the quiescent 3.0 V in steps separated by one round trip delay (in this case 4.0 ns).

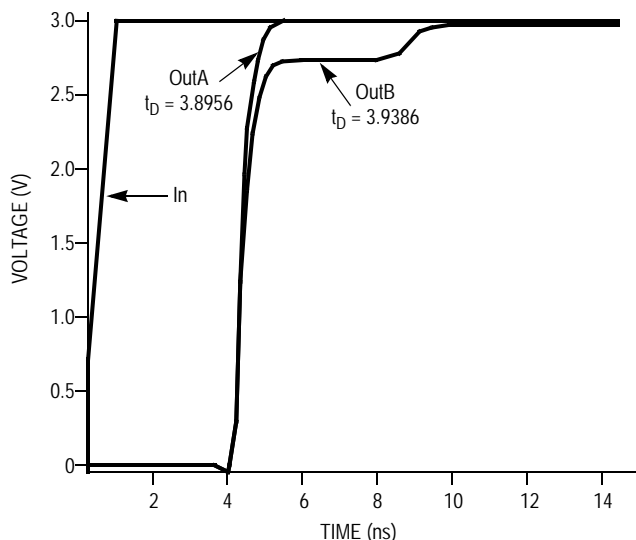


Figure 4. Single versus Dual Waveforms

Since this step is well above the threshold region it will not cause any false clock triggering, however designers may be uncomfortable with unwanted reflections on the line. To better match the impedances when driving multiple lines the situation in **Figure 5. Optimized Dual Line Termination** should be used. In this case the series terminating resistors are reduced such that when the parallel combination is added to the output buffer impedance the line impedance is perfectly matched.

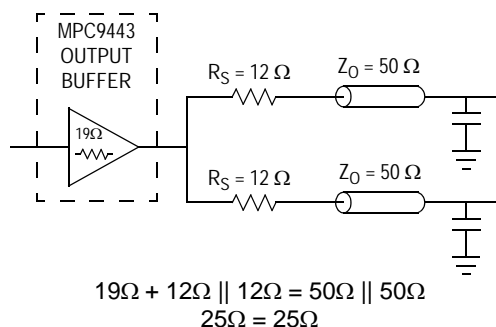


Figure 5. Optimized Dual Line Termination



### Power Consumption of the MPC9443 and Thermal Management

The MPC9443 AC specification is guaranteed for the entire operating frequency range up to 350 MHz. The MPC9443 power consumption and the associated long-term reliability may decrease the maximum frequency limit, depending on operating conditions such as clock frequency, supply voltage, output loading, ambient temperature, vertical convection and thermal conductivity of package and board. This section describes the impact of these parameters on the junction temperature and gives a guideline to estimate the MPC9443 die junction temperature and the associated device reliability. For a complete analysis of power consumption as a function of operating conditions and associated long term device reliability please refer to the application note AN1545. According the AN1545, the long-term device reliability is a function of the die junction temperature:

**Table 13. Die Junction Temperature and MTBF**

| Junction Temperature (°C) | MTBF (Years) |
|---------------------------|--------------|
| 100                       | 20.4         |
| 110                       | 9.1          |
| 120                       | 4.2          |
| 130                       | 2.0          |

Increased power consumption will increase the die junction temperature and impact the device reliability (MTBF). According to the system-defined tolerable MTBF, the die junction temperature of the MPC9443 needs to be controlled and the thermal impedance of the board/package should be optimized. The power dissipated in the MPC9443 is represented in equation 1.

Where  $I_{CCQ}$  is the static current consumption of the MPC9443,  $C_{PD}$  is the power dissipation capacitance per output,  $(M)\Sigma C_L$  represents the external capacitive output load, N is the number of active outputs (N is always 16 in case of the MPC9443). The MPC9443 supports driving transmission lines to maintain high signal integrity and tight timing parameters. Any transmission line will hide the lumped capacitive load at the end of the board trace, therefore,  $\Sigma C_L$  is zero for controlled transmission line systems and can be eliminated from equation 1. Using parallel termination output termination results in equation 2 for power dissipation.

$$P_{TOT} = [I_{CCQ} + V_{CC} \cdot f_{CLOCK} \cdot (N \cdot C_{PD} + \sum_M C_L)] \cdot V_{CC} \quad \text{Equation 1}$$

$$P_{TOT} = V_{CC} \cdot [I_{CCQ} + V_{CC} \cdot f_{CLOCK} \cdot (N \cdot C_{PD} + \sum_M C_L)] + \sum_P [DC_Q \cdot I_{OH} \cdot (V_{CC} - V_{OH}) + (1 - DC_Q) \cdot I_{OL} \cdot V_{OL}] \quad \text{Equation 2}$$

$$T_J = T_A + P_{TOT} \cdot R_{thja} \quad \text{Equation 3}$$

$$f_{CLOCK,MAX} = \frac{1}{C_{PD} \cdot N \cdot V_{CC}^2} \cdot \left[ \frac{T_{j,MAX} - T_A}{R_{thja}} - (I_{CCQ} \cdot V_{CC}) \right] \quad \text{Equation 4}$$

In equation 2, P stands for the number of outputs with a parallel or thevenin termination,  $V_{OL}$ ,  $I_{OL}$ ,  $V_{OH}$  and  $I_{OH}$  are a function of the output termination technique and  $DC_Q$  is the clock signal duty cycle. If transmission lines are used  $\Sigma C_L$  is zero in equation 2 and can be eliminated. In general, the use of controlled transmission line techniques eliminates the impact of the lumped capacitive loads at the end lines and greatly reduces the power dissipation of the device. Equation 3 describes the die junction temperature  $T_J$  as a function of the power consumption.

Where  $R_{thja}$  is the thermal impedance of the package (junction to ambient) and  $T_A$  is the ambient temperature. According to **Table 13**, the junction temperature can be used to estimate the long-term device reliability. Further, combining equation 1 and equation 2 results in a maximum operating frequency for the MPC9443 in a series terminated transmission line system.

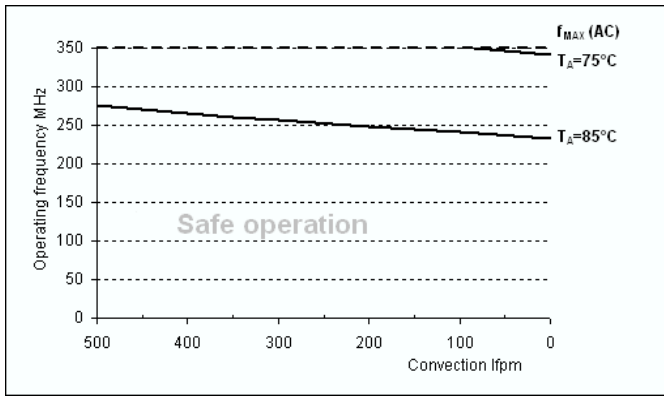
$T_{J,MAX}$  should be selected according to the MTBF system requirements and **Table 13**.  $R_{thja}$  can be derived from Table 14. The  $R_{thja}$  represent data based on 1S2P boards, using 2S2P boards will result in a lower thermal impedance than indicated below.

**Table 14. Thermal Package Impedance of the 48 Id LQFP**

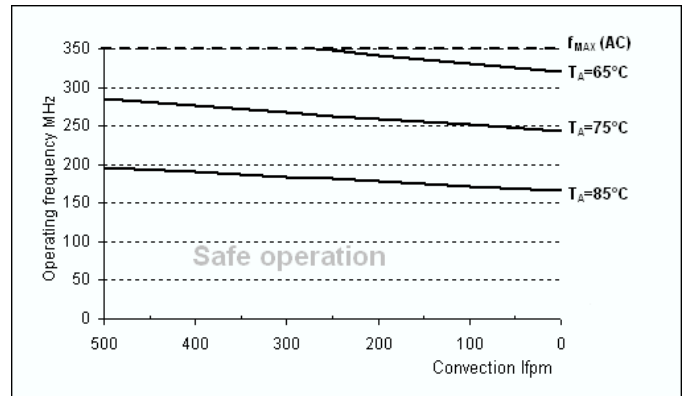
| Convection, LFPM | $R_{thja}$ (1P2S board), K/W | $R_{thja}$ (2P2S board), K/W |
|------------------|------------------------------|------------------------------|
| Still air        | 69                           | 53                           |
| 100 lfpm         |                              |                              |
| 200 lfpm         | 64                           | 50                           |
| 300 lfpm         |                              |                              |
| 400 lfpm         |                              |                              |
| 500 lfpm         |                              |                              |

If the calculated maximum frequency is below 250 MHz, it becomes the upper clock speed limit for the given application conditions. The following eight derating charts describe the safe frequency operation range for the MPC9443. The charts were calculated for a maximum tolerable die junction temperature of 110°C (120°C), corresponding to an estimated MTBF of 9.1 years (4 years), a supply voltage of 3.3 V and series terminated transmission line or capacitive loading. Depending on a given set of these operating conditions and the available device convection a decision on the maximum operating frequency can be made.

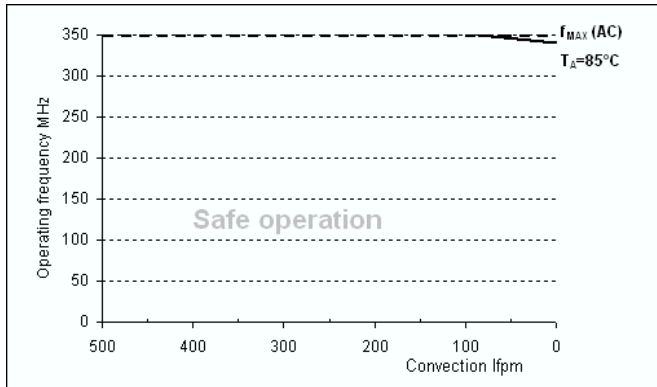
# MPC9443



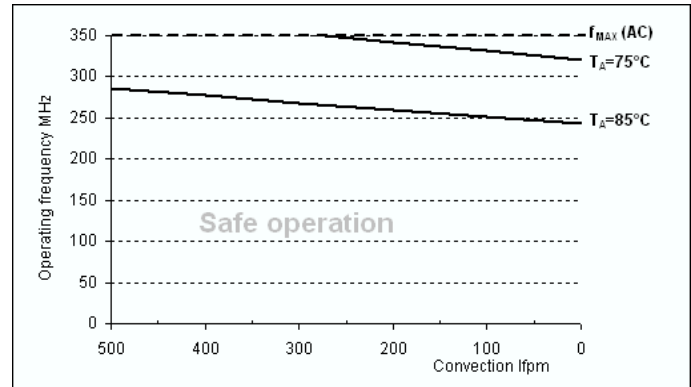
**Figure 6. Maximum MPC9443 frequency, V<sub>CC</sub> = 3.3 V, MTBF 9.1 Years, Driving Series Terminated Transmission Lines**



**Figure 7. Maximum MPC9443 Frequency, V<sub>CC</sub> = 3.3 V, MTBF 9.1 Years, 4 pF Load per Line**



**Figure 8. Maximum MPC9443 Frequency, V<sub>CC</sub> = 3.3 V, MTBF 4 Years, Driving Series Terminated Transmission Lines**



**Figure 9. Maximum MPC9443 Frequency, V<sub>CC</sub> = 3.3 V, MTBF 4 Years, 4 pF Load per Line**

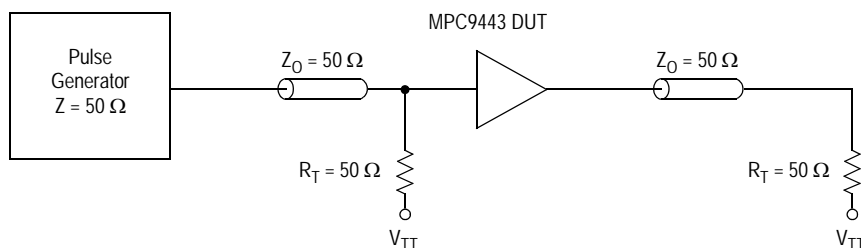


Figure 10. CCLK MPC9443 AC Test Reference for  $V_{cc} = 3.3\text{ V}$  and  $V_{cc} = 2.5\text{ V}$

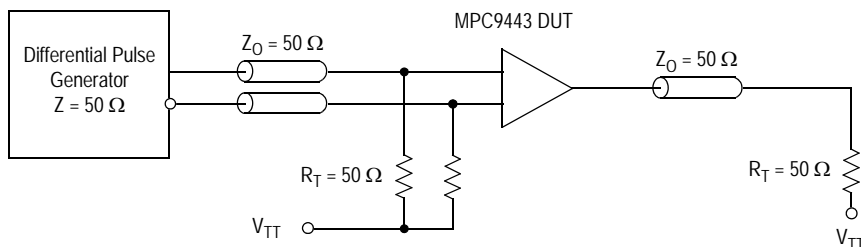


Figure 11. PCLK MPC9443 AC Test Reference

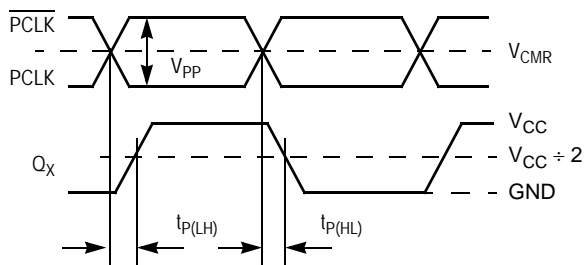


Figure 12. Propagation Delay ( $t_{PD}$ ) Test Reference

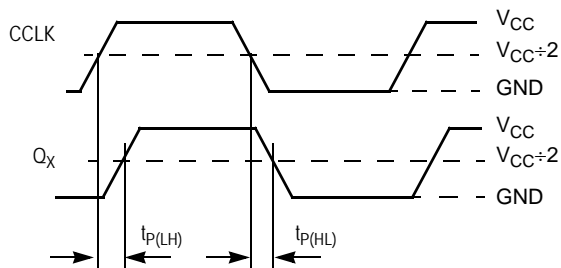
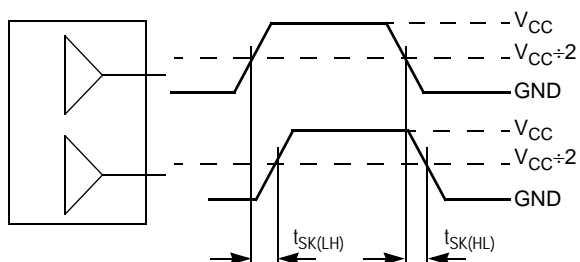


Figure 13. Propagation Delay ( $t_{PD}$ ) Test Reference



The pin-to-pin skew is defined as the worst case difference in propagation delay between any similar delay path within a single device

Figure 14. Output-to-Output Skew  $t_{SK(LH, HL)}$

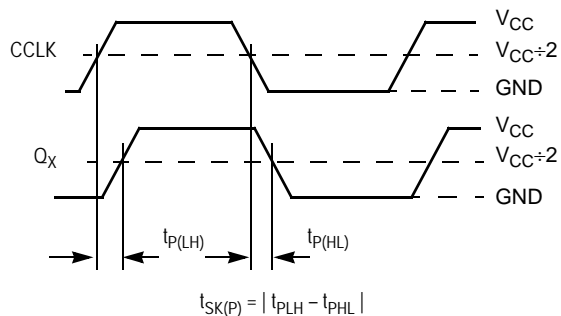
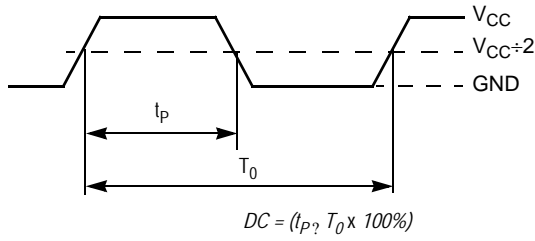
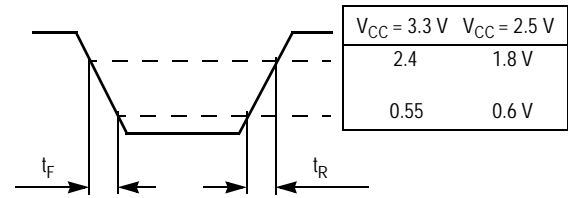


Figure 15. Output Pulse Skew ( $t_{SK(P)}$ ) Test Reference

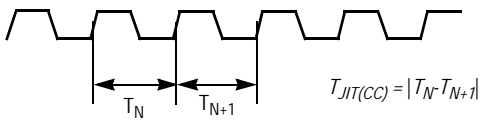


The time from the PLL controlled edge to the non-controlled edge, divided by the time between PLL controlled edges, expressed as a percentage

**Figure 16. Output Duty Cycle (DC)**

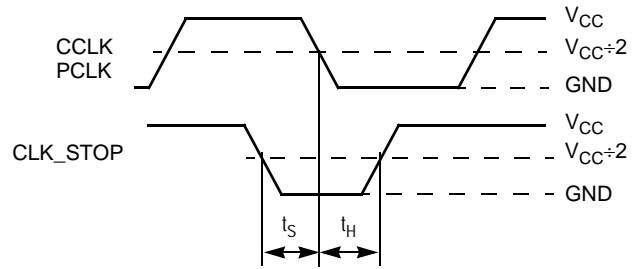


**Figure 17. Output Transition Time Test Reference**



The variation in cycle time of a signal between adjacent cycles, over a random sample of adjacent cycle pairs

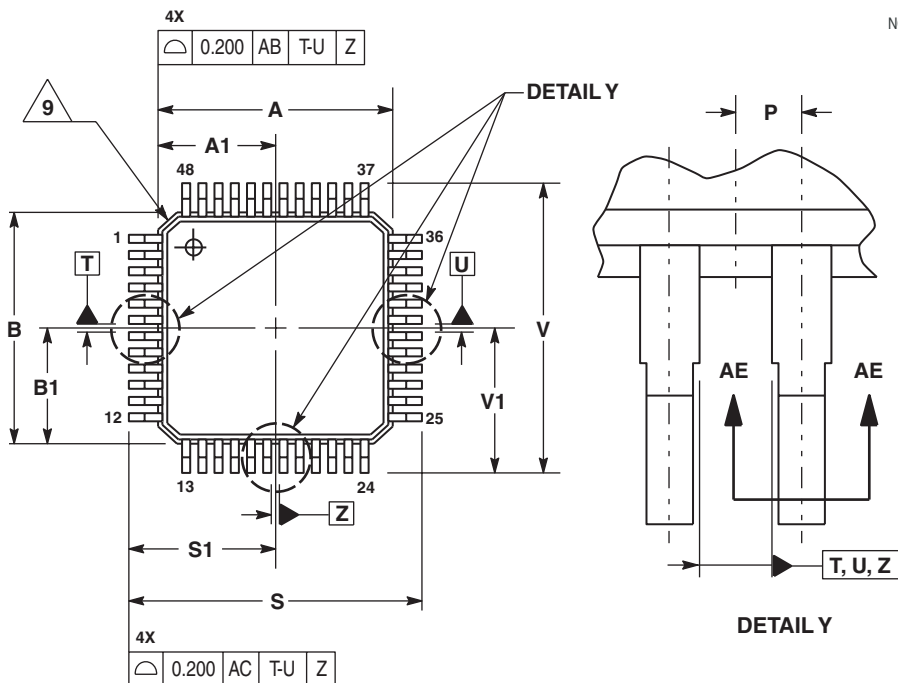
**Figure 18. Cycle-to-Cycle Jitter**



**Figure 19. Setup and Hold Time ( $t_S, t_H$ ) Test Reference**

OUTLINE DIMENSIONS

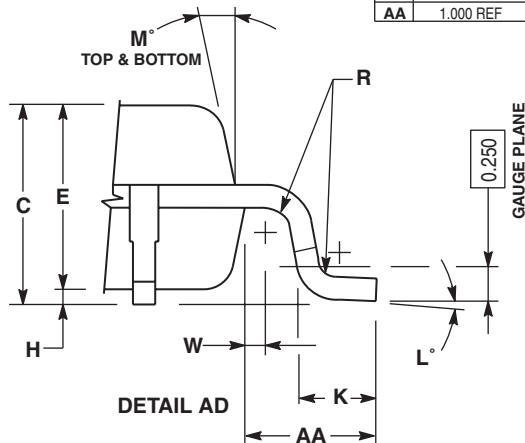
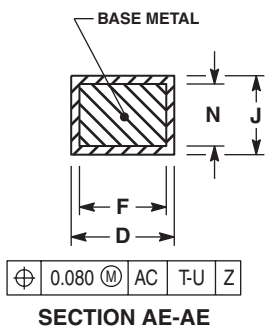
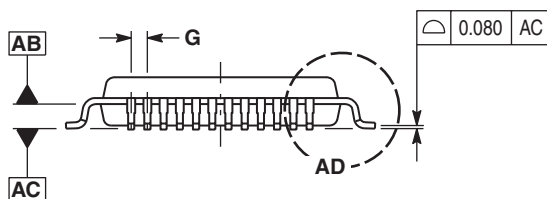
FA SUFFIX  
LQFP PACKAGE  
CASE 932-03  
ISSUE F



NOTES:

1. DIMENSIONING AND TOLERANCING PER ASME Y14.5m, 1994.
2. CONTROLLING DIMENSION: MILLIMETER.
3. DATUM PLAN AB IS LOCATED AT BOTTOM OF LEAD AND IS COINCIDENT WITH THE LEAD WHERE THE LEAD EXITS THE PLASTIC BODY AT THE BOTTOM OF THE PARTING LINE.
4. DATUMS T, U, AND Z TO BE DETERMINED AT DATUM PLANE AB.
5. DIMENSIONS S AND V TO BE DETERMINED AT SEATING PLANE AC.
6. DIMENSIONS A AND B DO NOT INCLUDE MOLD PROTRUSION. ALLOWABLE PROTRUSION IS 0.250 PER SIDE. DIMENSIONS A AND B DO INCLUDE MOLD MISMATCH AND ARE DETERMINED AT DATUM PLANE AB.
7. DIMENSION D DOES NOT INCLUDE DAMBAR PROTRUSION. DAMBAR PROTRUSION SHALL NOT CAUSE THE D DIMENSION TO EXCEED 0.350.
8. MINIMUM SOLDER PLATE THICKNESS SHALL BE 0.0076.
9. EXACT SHAPE OF EACH CORNER IS OPTIONAL.

| MILLIMETERS |       |       |
|-------------|-------|-------|
| DIM         | MIN   | MAX   |
| A           | 7.000 | BSC   |
| A1          | 3.500 | BSC   |
| B           | 7.000 | BSC   |
| B1          | 3.500 | BSC   |
| C           | 1.400 | 1.600 |
| D           | 0.170 | 0.270 |
| E           | 1.350 | 1.450 |
| F           | 0.170 | 0.230 |
| G           | 0.500 | BSC   |
| H           | 0.050 | 0.150 |
| J           | 0.090 | 0.200 |
| K           | 0.500 | 0.700 |
| L           | 0°    | 7°    |
| M           | 12°   | REF   |
| N           | 0.090 | 0.160 |
| P           | 0.250 | BSC   |
| R           | 0.150 | 0.250 |
| S           | 9.000 | BSC   |
| S1          | 4.500 | BSC   |
| V           | 9.000 | BSC   |
| V1          | 4.500 | BSC   |
| W           | 0.200 | REF   |
| AA          | 1.000 | REF   |





NOTES

Information in this document is provided solely to enable system and software implementers to use Motorola products. There are no express or implied copyright licenses granted hereunder to design or fabricate any integrated circuits or integrated circuits based on the information in this document.

Motorola reserves the right to make changes without further notice to any products herein. Motorola makes no warranty, representation or guarantee regarding the suitability of its products for any particular purpose, nor does Motorola assume any liability arising out of the application or use of any product or circuit, and specifically disclaims any and all liability, including without limitation consequential or incidental damages. "Typical" parameters which may be provided in Motorola data sheets and/or specifications can and do vary in different applications and actual performance may vary over time. All operating parameters, including "Typicals" must be validated for each customer application by customer's technical experts. Motorola does not convey any license under its patent rights nor the rights of others. Motorola products are not designed, intended, or authorized for use as components in systems intended for surgical implant into the body, or other applications intended to support or sustain life, or for any other application in which the failure of the Motorola product could create a situation where personal injury or death may occur. Should Buyer purchase or use Motorola products for any such unintended or unauthorized application, Buyer shall indemnify and hold Motorola and its officers, employees, subsidiaries, affiliates, and distributors harmless against all claims, costs, damages, and expenses, and reasonable attorney fees arising out of, directly or indirectly, any claim of personal injury or death associated with such unintended or unauthorized use, even if such claim alleges that Motorola was negligent regarding the design or manufacture of the part.

MOTOROLA and the Stylized M Logo are registered in the US Patent and Trademark Office. All other product or service names are the property of their respective owners.

© Motorola, Inc. 2004

#### HOW TO REACH US:

USA/EUROPE/LOCATIONS NOT LISTED:  
Motorola Literature Distribution  
P.O. Box 5405, Denver, Colorado 80217  
1-800-521-6274 or 480-768-2130

JAPAN: Motorola Japan Ltd.; SPS, Technical Information Center  
3-20-1 Minami-Azabu, Minato-ku, Tokyo 106-8573, Japan  
81-3-3440-3569

ASIA/PACIFIC: Motorola Semiconductors H.K. Ltd.; Silicon Harbour Centre  
2 Dai King Street, Tai Po Industrial Estate, Tai Po, N.T., Hong Kong  
852-26668334

HOME PAGE: <http://motorola.com/semiconductors>

